



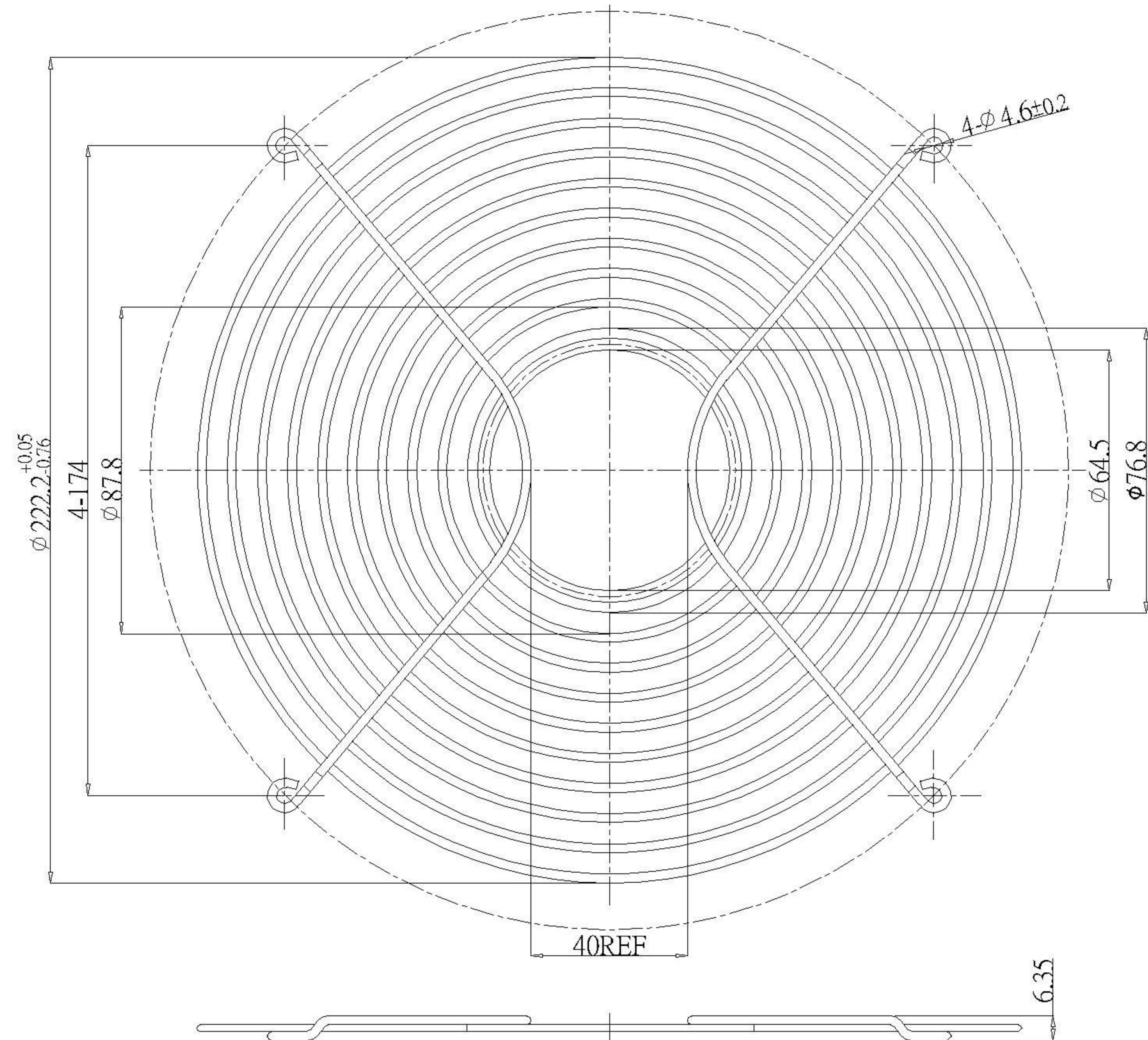
GARDTEC

Revision	Date	Approved	Name

Part Number:

SC1000-W1

Material: C1008 Steel
 Finish: Bright Nickel Chrome Plating
 Ring Diameter: 2.3mm
 Rib Diameter: 2.3mm
 General Tolerance Unless Noted: ± 0.5 mm
 Unit: mm
 RoHS Compliant



These drawings are the property of Gardtec, Inc and cannot be reproduced for or communicated to a third party without the express written permission of Gardtec, Inc.