



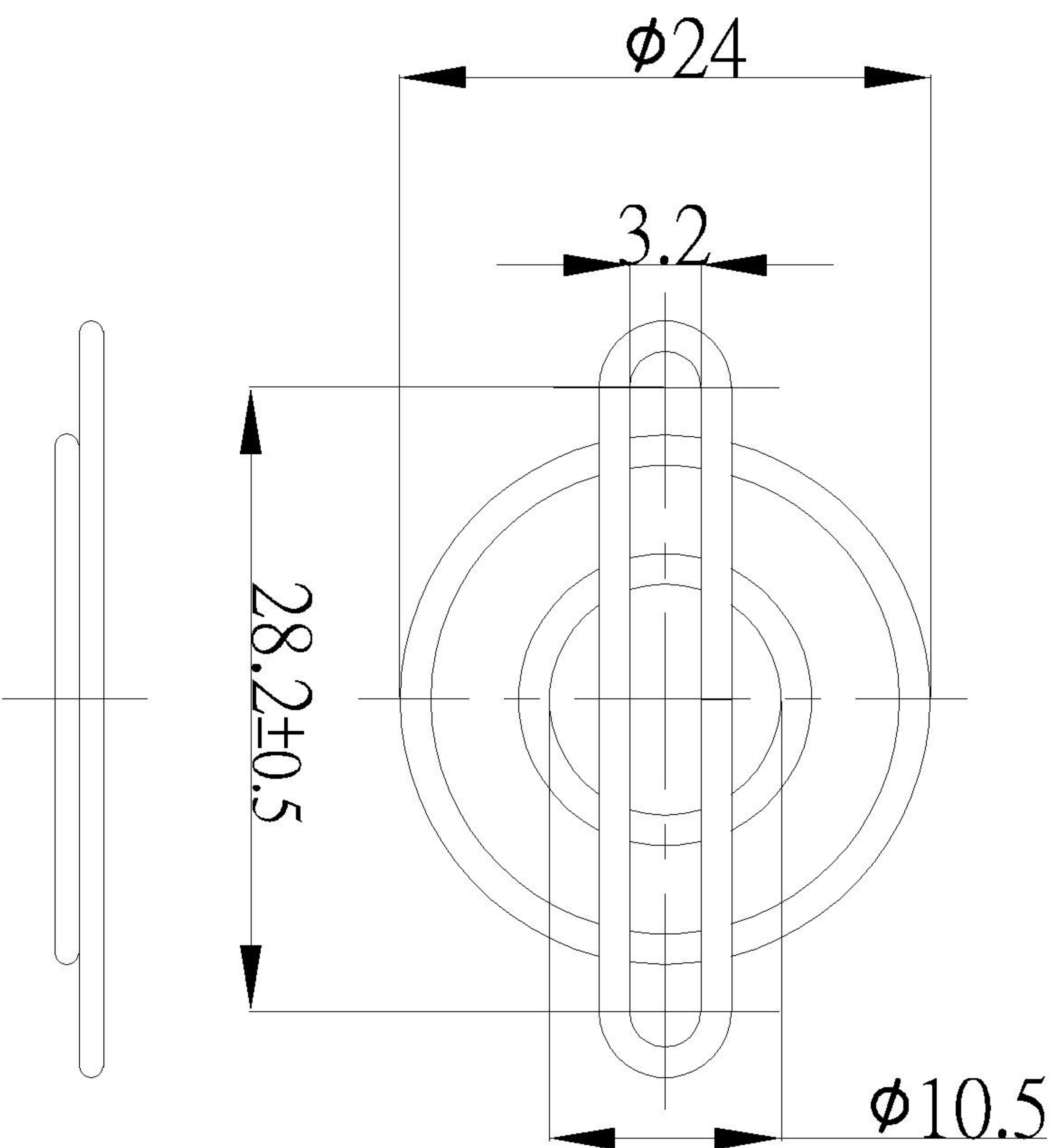
GARDTEC

Revision	Date	Approved	Name

Part Number:

SC25-W1B

Material: C1008 Steel
Finish: Black E,D
Ring Diameter: 1.4mm
Rib Diameter: 1.4mm
General Tolerance Unless Noted: ± 0.5 mm
Unit: mm
RoHS Compliant



These drawings are the property of Gardtec, Inc and cannot be reproduced for or communicated to a third party without the express written permission of Gardtec, Inc.