



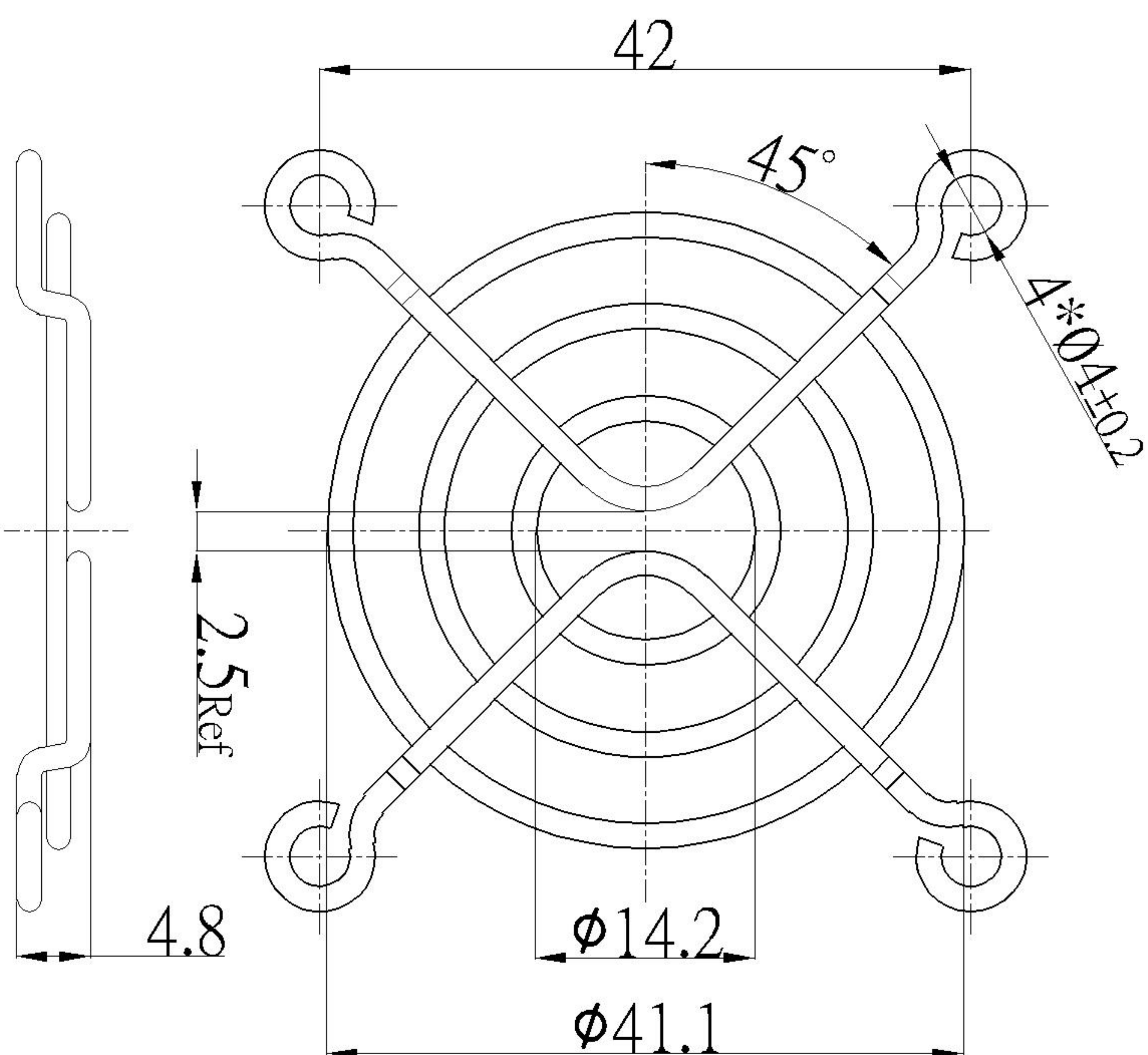
**GARDTEC**

Revision	Date	Approved	Name

Part Number:

SC50-W1

Material: C1008 Steel  
Finish: Bright Nickel Chrome Plating  
Ring Diameter: 1.6mm  
Rib Diameter: 1.6mm  
General Tolerance Unless Noted:  $\pm 0.5\text{mm}$   
Unit: mm  
RoHS Compliant



These drawings are the property of Gardtec, Inc and cannot be reproduced for or communicated to a third party without the express written permission of Gardtec, Inc.

GardTec, Inc. • 2909 Mt. Pleasant Street • Racine, WI USA

Questions or to order please call

(262) 634-5560

[www.gardtecinc.com](http://www.gardtecinc.com)