



**GARDTEC**

Revision	Date	Approved	Name

Part Number:

**SCI20-W16SS**

**Material: SUS304 Stainless Steel Wire**

**Finish: Electrolysis**

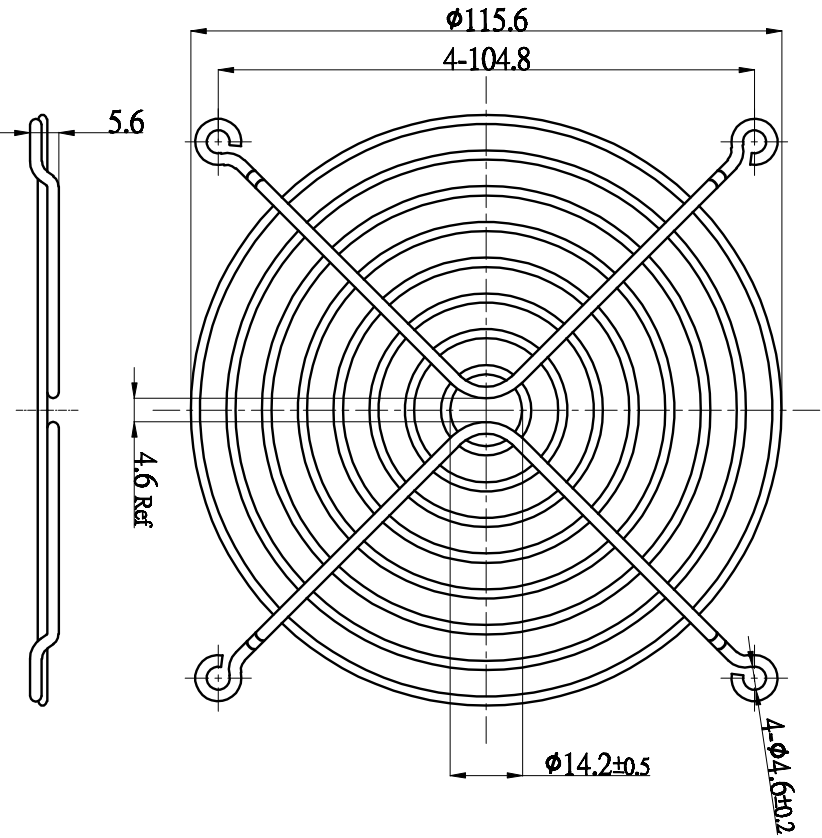
**Ring Diameter: 1.8mm**

**Rib Diameter: 2.3mm**

**Unit: mm**

**RoHS Compliant**

These drawings are the property of Gardtec, Inc and cannot be reproduced for or communicated to a third party without the express written permission of Gardtec, Inc.



GardTec, Inc. • 2909 Mt. Pleasant Street • Racine, WI USA

Questions or to order please call

(262) 634-5560

[www.gardteci.com](http://www.gardteci.com)