

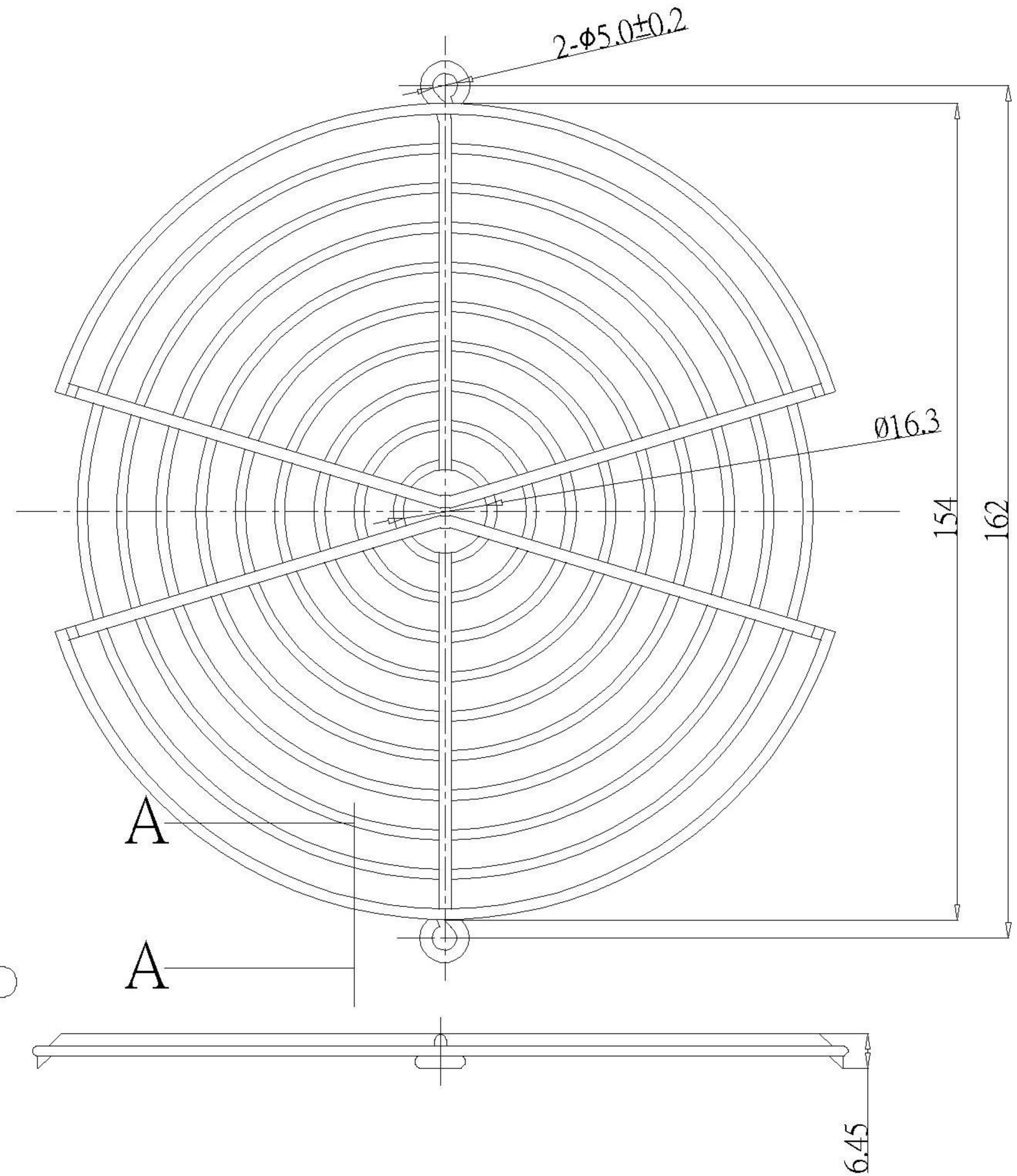
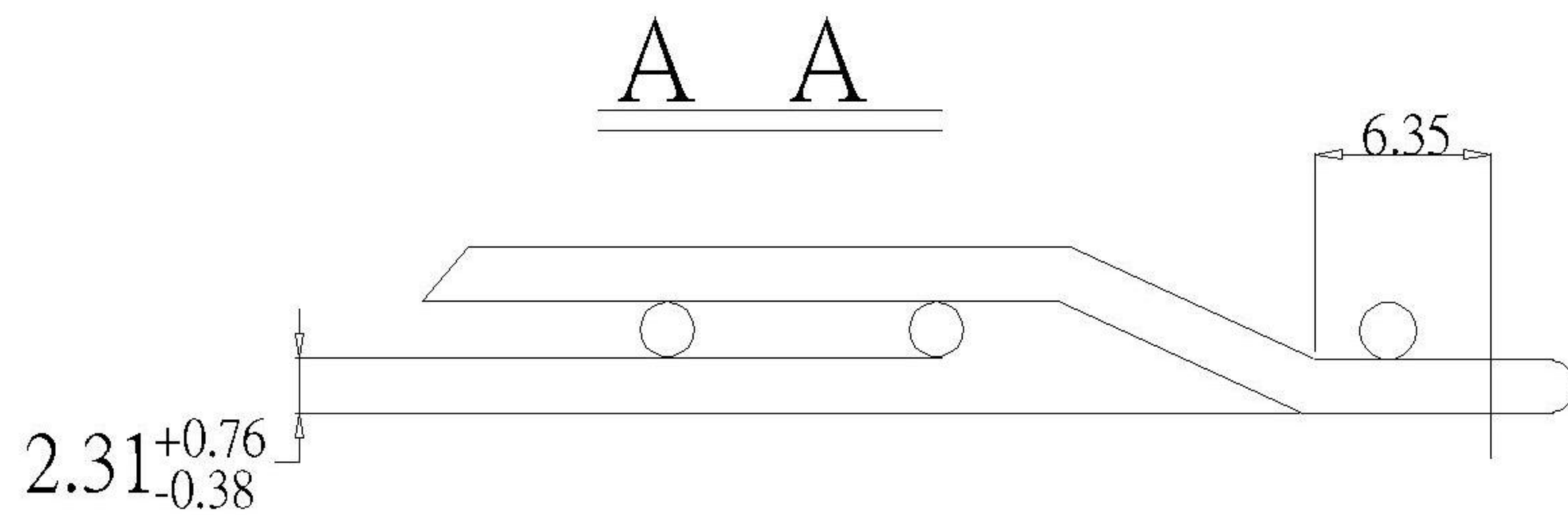


**GARDTEC**

Revision	Date	Approved	Name

Part Number:  
**SC162-W1**

Material: C1008 Steel  
 Finish: Bright Nickel Chrome Plating  
 Ring Diameter: 1.8mm  
 Rib Diameter: 2.3mm  
 General Tolerance Unless Noted:  $\pm 0.5$ mm  
 Unit: mm  
 RoHS Compliant



These drawings are the property of Gardtec, Inc and cannot be reproduced for or communicated to a third party without the express written permission of Gardtec, Inc.